

PARTS LIST

[MX-K5]

* All printed circuit boards and its assemblies are not available as service parts.

Area suffix	
A -----	Australia
US -----	Singapore
UT -----	Taiwan
UW -----	Brazil, Mexico, Peru
UY -----	Argentina

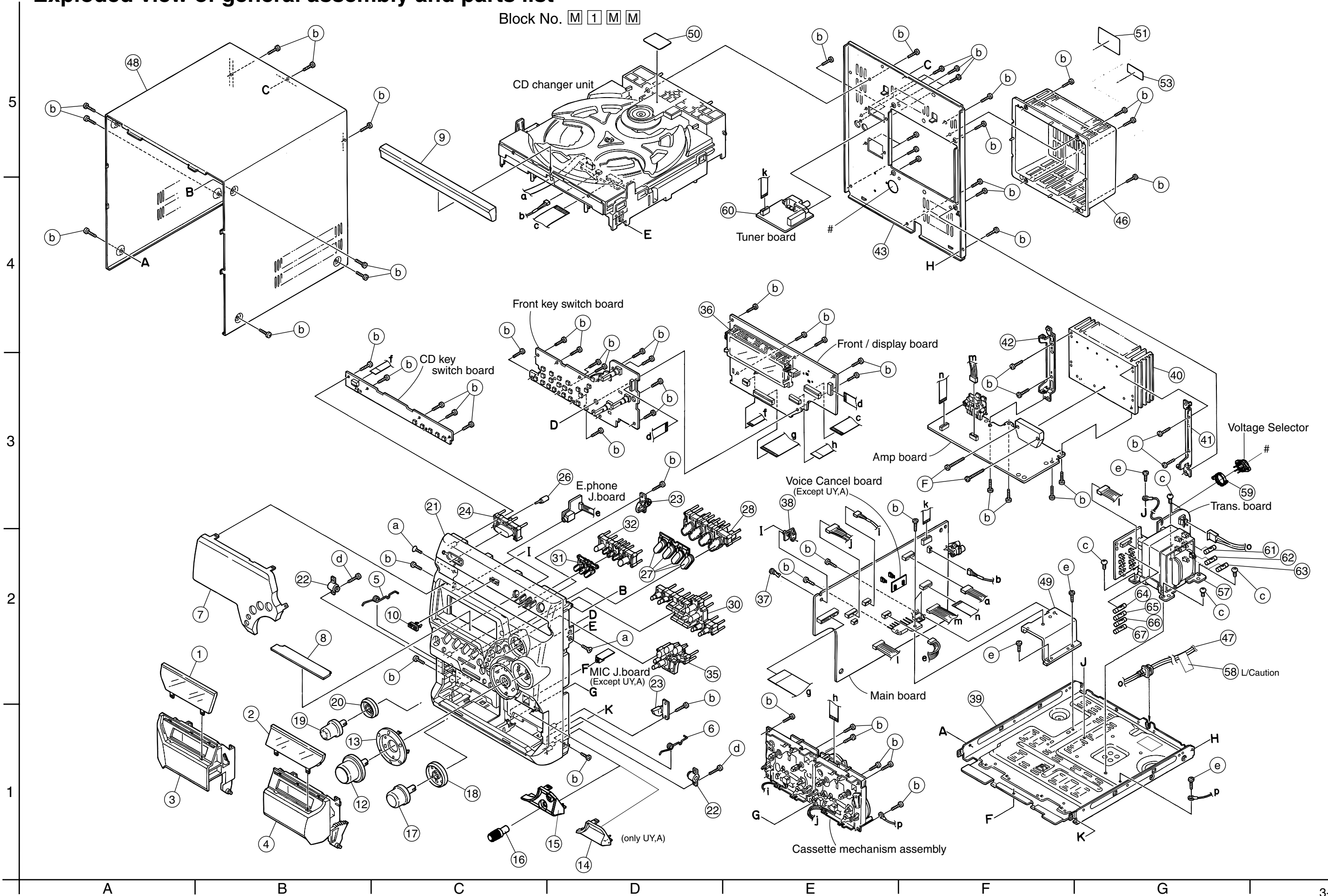
- Contents -

Exploded view of general assembly and parts list	3- 3
CD mechanism assembly and parts list	3- 5
CD changer mechanism assembly and parts list	3- 6
Cassette mechanism assembly and parts list	3- 8
Electrical parts list	3-10
Packing materials and accessories parts list	3-20

< MEMO >

Exploded view of general assembly and parts list

Block No. **M 1 M M**



■ Parts list(General assembly)

Block No. M1MM

△	Item	Parts number	Parts name	Q'ty	Description	Area
	a	6002-000126	SCREW	2	FH M3*10 BLK	
	b	6003-000276	SCREW	78	BH M3*10 YEL	
	c	AH60-10107A	SCREW	4	M4*6 YEL	
	d	6003-000277	SCREW	2	BH M3*12 YEL	
	e	6002-000398	SCREW	3	BH M3*6 YEL	
	f	6003-000278	SCREW	4		
	1	AH64-01141A	DOOR WINDOW A	1		
	2	AH64-01142A	DOOR WINDOW B	1		
	3	AH64-01128B	CASSETTE DOOR A	1		
	4	AH64-01129B	CASSETTE DOOR B	1		
	5	AH61-00552A	DOOR SPRING A	1		
	6	AH61-00553A	DOOR SPRING B	1		
	7	AH64-01140B	SPRING-DOOR B	1		
	8	AH63-00252A	SHEET-VFD	1		
	9	AH64-01126B	DOOR-TRAY	1		
	10	AH64-00462B	JVC MARK	1		
	12	AH64-01135B	VOLUME KNOB	1		
	13	AH61-00659B	VOLUME CAP	1		
	14	AH61-00658B	DUMMY CAP	1		
	15	AH61-00657B	MIC CAP	1		
	16	AJ64-01136B	MIC VOL KNOB	1		
	17	AH64-01134B	WOOFER KNOB	1		
	18	AH67-00105A	WOOFER LENS	1		
	19	AH64-01133B	S/MODE KNOB	1		
	20	AH67-00104A	S/MODE LENS	1		
	21	AH64-01123C	LENS-S/MODE	1		
		AH64-01123B	LENS-S/MODE	1		
	22	AH61-80030A	DAMPER	2	ASSY	
	23	AH95-50001A	LATCH	2	ASSY	
	24	AH64-01130B	POWER KNOB	1		
	26	AH67-00106A	POWER LENS	1		
	27	AH67-00103B	FUNCTION LENS	1		
	28	AH61-00661A	FUNCTION HOLDER	1		
	30	AH64-01138B	MAIN KNOB	1		
	31	AH67-00102B	CD LENS	1		
	32	AH64-01132B	DISC KNOB	1		
	35	AH64-01137B	STOP KNOB	1		
	36	AH61-00662A	VFD HOLDER	1		
	37	AH61-40014A	RIVET SUPPORT	1		
	38	AH61-00021B	PCB SUPPORT	1		
	39	AH64-30416C	BOTTOM CABINET	1		
	40	AH62-00043A	HEAT-SINK	1		
	41	AH61-00655A	H/SINK BRKT L	1		
	42	AH61-00656A	H/SINK BRKT R	1		
	43	AH64-01125C	BRKT-H/SINK R	1		US UT UW UY
		AH64-01125B	BRKT-H/SINK R	1		A
	46	AH63-00250A	REAR COVER	1		
△	47	AH39-00258B	POWER CORD	1		A

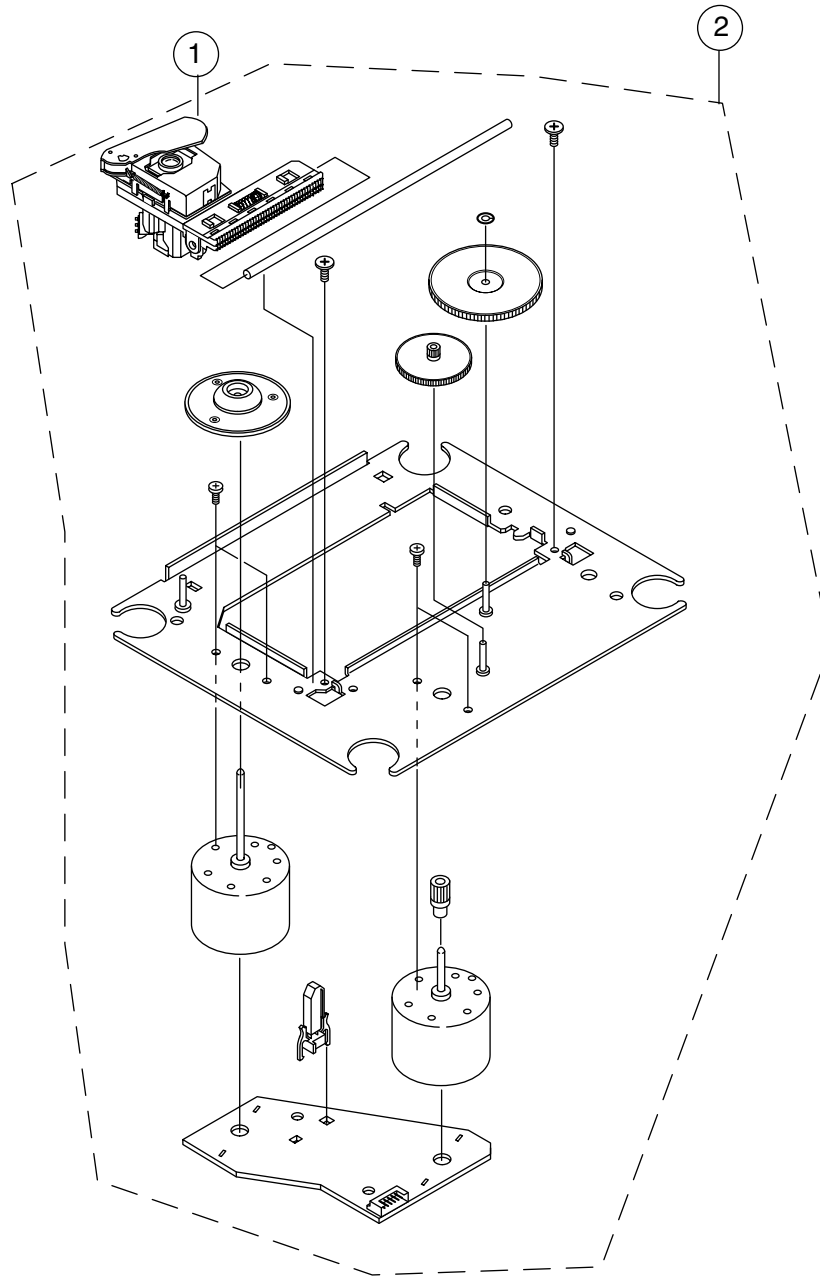
■ Parts list(General assembly)

Block No. M1MM

△	Item	Parts number	Parts name	Q'ty	Description	Area
△	47	AH39-00257G	POWER CORD	1		US UT UW
△		AH39-00258C	POWER CORD	1		UY
	48	AH64-30390F	TOP CABINET	1		
	49	AH62-00042A	HEAT-SINK	1	4959	
	50	AH68-50275D	STICKER-CD	1		
	51	AH68-00687C	RATING LABEL	1		US UT UY
		AH68-00687F	RATING LABEL	1		A
		AH68-00687E	RATING LABEL	1		UT
	53	AH68-00329C	UT LABEL	1		UT
		AH68-00331F	LABEL-C TICK	1		A
△	57	AH26-00104A	POWER TRANS	1		
△		AH26-00107A	POWER TRANS	1		A
	58	AH68-50282K	CAUTION LABEL	1		US UT UW UY
	59	AH61-00721A	HOLDER	1		
	60	AH40-00011A	TUNER BLOCK	1		
△	61	3601-000297	FUSE	1		
△	62	3601-000263	FUSE	1		
△	63	3601-000263	FUSE	1		
△	64	3601-000282	FUSE	1		
△	65	3601-000282	FUSE	1		
△	66	3601-000282	FUSE	1		
△	67	3601-000282	FUSE	1		

CD mechanism assembly and parts list

Block No. M 2 M M



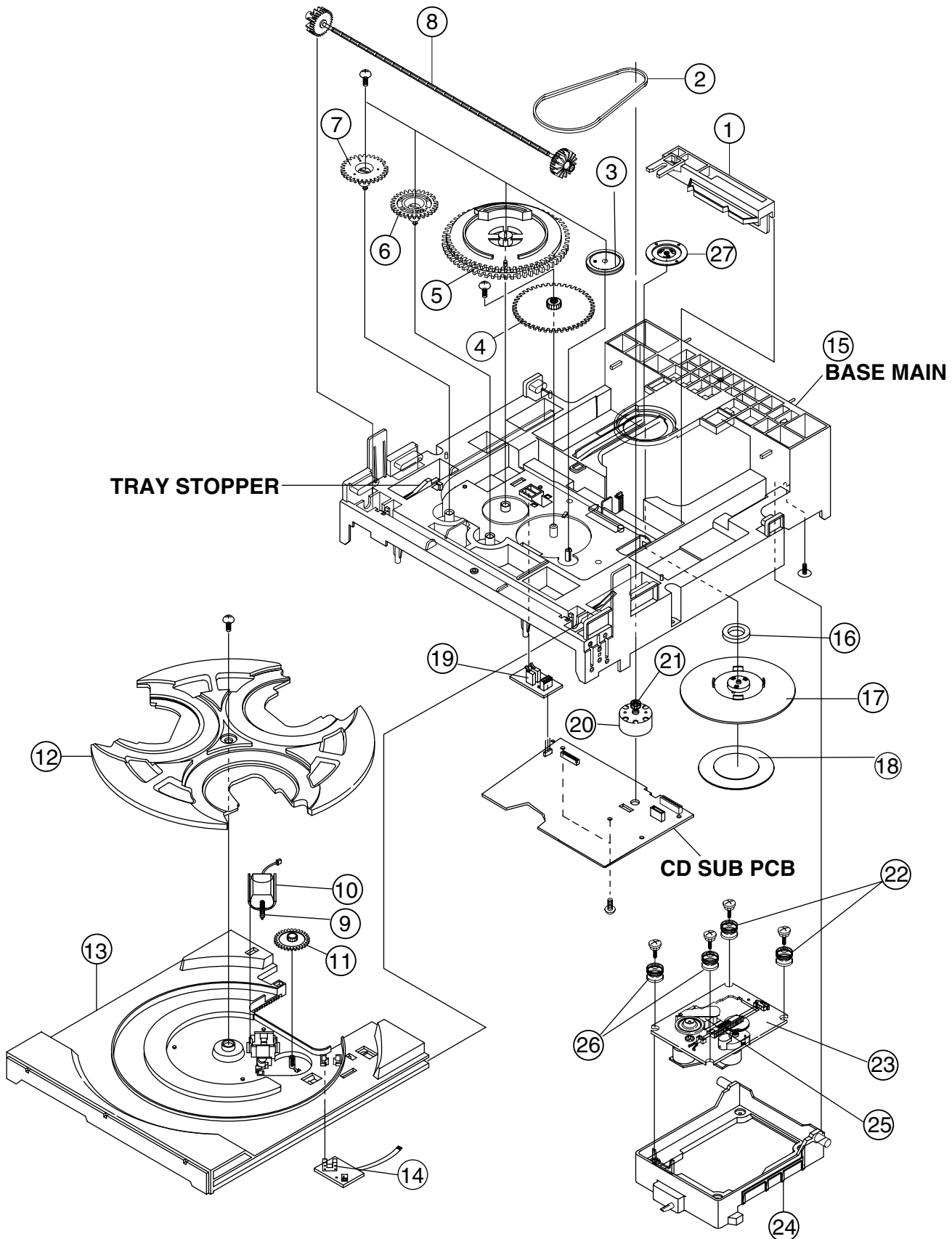
Parts list(CD mechanism)

Block No. M2MM

▲	Item	Parts number	Parts name	Q'ty	Description	Area
	1	AH30-00007A	OPTICAL PICK-UP	1	SOH-AD3	
	2	AH91-60150C	CDP-DECK ASS'Y	1	CMS-D73SG6U	

CD changer mechanism assembly and parts list

Block No. M 3 M M



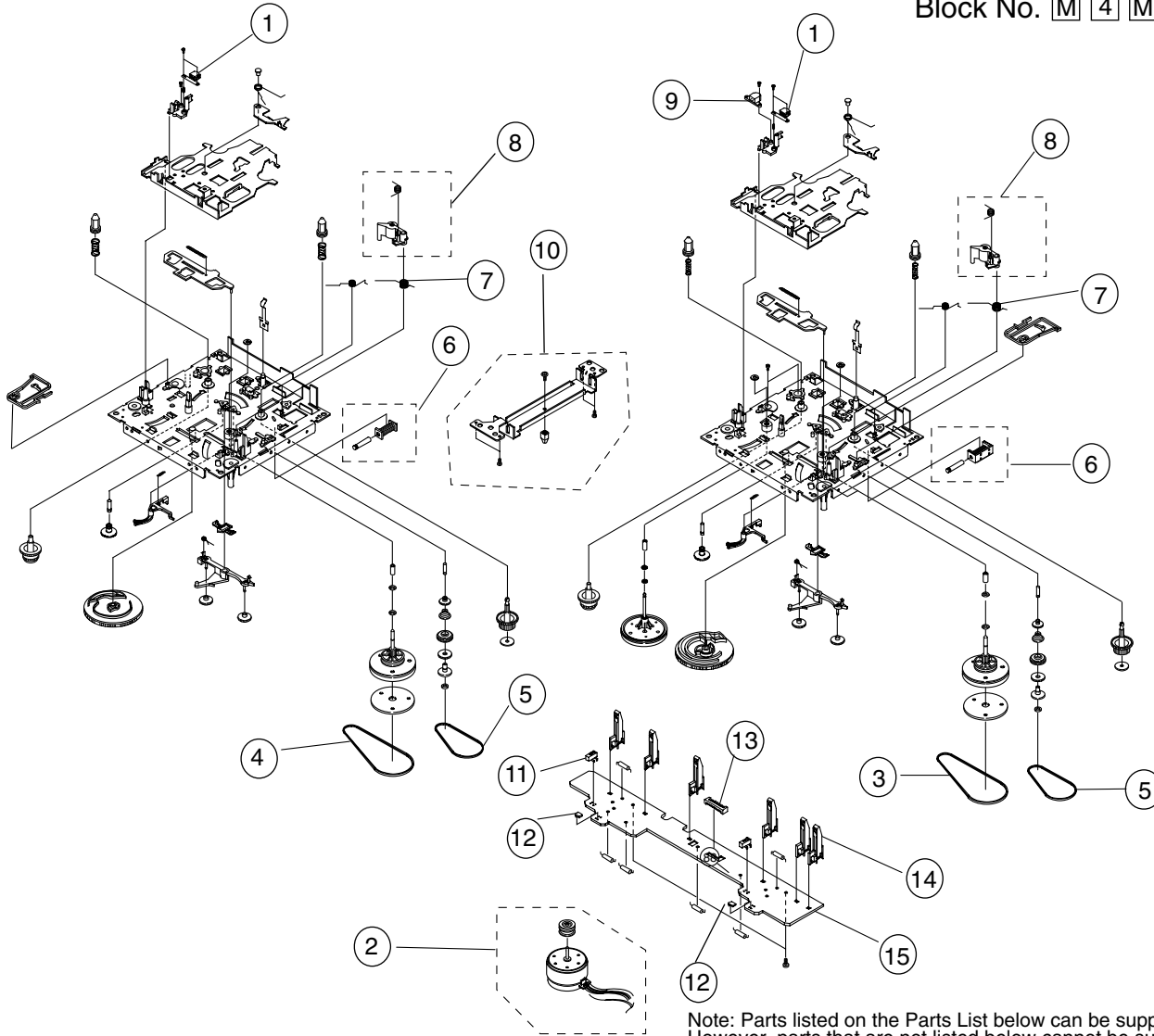
Parts list(CD changer mechanism)

Block No. M3MM

△	Item	Parts number	Parts name	Q'ty	Description	Area
	1	AH66-80022A	SLIDE CAM	1	ABS HF-380 NTR	
	2	AH66-60034A	BELT LOAD	1	CR	
	3	AH66-20186A	GEAR PULLEY	1	POM (M90-44)WHT	
	4	AH66-20187A	GEAR-LOAD	1	POM (M90-44)BLK	
	5	AH66-20188A	GEAR-CAM	1	POM(M90-44)WHT	
	6	AH66-20189A	GEAR-TRAY	1	POM(M90-44)BLK	
	7	AH66-20190A	GEAR-CONVERTOR	1	POM (M90-44) WH	
	8	AH66-20191A	GEAR-SYNCR0	1	ABS HF-380 NTR	
	9	AH66-20192A	GEAR-WORM	1	POM (M90-44)WHT	
	10	AH31-12001A	LOADING MOTOR	1	FF-030PN-09120	
	11	AH66-20193A	GEAR-ROULETTE	1	POM(M90-44)BLK	
	12	AH66-90056A	TRAY-ROULETTE	1	ABS XR-401 BLK	
	13	AH66-90055A	TRAY DISC	1	ABS XR-401 BLK	
	14	AH32-10001F	SENSOR	1	KPI-L06	
	15	AH61-20428A-1	BASE MAIN	1		
	16	3302-000159	MAGNET-FERRITE	1		
	17	AH66-90053A	TABTE-CHUCK UNI	1		
	18	AH63-00068B	SHEET CHUCK	1		
	19	3404-000101	SWICH MICRO	1	MLS-24	
	20	AH31-10021A	DC MORTOR	1		
	21	AH66-10008A	PULLEY-MOTOR	1		
	22	AH73-10031A	RUBBER-CD	1		
	23	AH91-60150C	SP MOTOR ASS'Y	1	CMS-D73SG6U	
	24	AH66-30098A	LEVER-LIFTER	1		
	25	AH30-00007A	CD PICKUP	1	SOH-AD3	
	26	AH73-10034A	RUBBER-CD(G)	1		
	27	AH61-00255A	BRKT CHUCK	1	SECL 0.8T	

Cassette mechanism assembly and parts list

Block No. M 4 M M



Note: Parts listed on the Parts List below can be supplied. However, parts that are not listed below cannot be supplied individually but only by purchasing the whole Cassette Mechanism Assembly Unit. (When ordering, use the Parts No. AH59-00102A for Cassette Mechanism Assembly Unit.)

■ Parts list(Cassette mechanism)

Block No. M4MM

Item	Parts number	Parts name	Q'ty	Description	Area
1	AH81-00141A	REC/PB HEAD	1	TC881CB	
2	AH81-00422A	MOTOR ASS'Y	1	ADR2400-SHU2L	
3	AH81-00364A	MAIN BELT 1	1	ADR2400-MAIN0.5	
4	AH81-00365A	MAIN BELT 2	1	ADR2400-MAIN1.3	
5	AH81-00101A	FR BELT	1	ADR2400-FR34.7	
6	AH81-00102A	SOLENOID	1	ADR2400-1	
7	AH81-00282A	SPRING	1	S/PP/R(F)	
8	AH81-00366A	PINCH R.ASS'Y	1	ADR2400-PINCH(F)	
9	AH81-00284A	E-HEAD	1	TC2131F	
10	AH81-00367A	MOTOR BRACKET	1	ADR241SWBRKT 110	
11	AH81-00286A	SWICH	1	ADR2400-MODE	
12	AH81-00287A	PHOT SENSOR	1	ADR2400-SENSOR	
13	AH81-00288A	CONNECTOR	1	ADR2400-16P	
14	AH81-00289A	LEEF SW	1	ADR2400-MXS00220	
15	AH81-00375A	PCB	1	ADR2400-1PCB	

■ Parts list(Cassette mechanism)

Block No. M4MM

△	Item	Parts number	Parts name	Q'ty	Description	Area
	1	AH81-00141A	REC/PB HEAD	1	TC881CB	
	2	AH81-00422A	MOTOR ASS'Y	1	CCM09-120L2-2	
	3	AH81-00364A	MAIN BELT 1	1	ADR246DSW	
	4	AH81-00365A	MAIN BELT 2	1	ADR246DSW	
	5	AH81-00101A	FR BELT	1	ADR2400S-FR	
	6	AH81-00102A	SOLENOID	1	ADR2400-1	
	7	AH81-00282A	SPRING	1	S/P P/R(F)	
	8	AH81-00366A	PINCH R.ASS'Y	1	MT92-01010K	
	9	AH81-00284A	E-HEAD	1	TC2131F	
	10	AH81-00367A	MOTOR BRACKET	1		
	11	AH81-00286A	SWICH	1	ADR2400-MODE	
	12	AH81-00287A	PHOTO SENSER	1	ADR2400-SENSOR	
	13	AH81-00288A	CONNECTOR	1	ADR2400-16P	
	14	AH81-00289A	LEEF SW	1	ADR2400-MXS0022	
	15	AH81-00375A	PCB	1		

■ Electrical parts list(Main board)

Block No. 01

△	Item	Parts number	Parts name	Remarks	Area	△	Item	Parts number	Parts name	Remarks	Area
	AUX	3722-000377	RCA JACK				FC2L	2401-001912	E.CAPACITOR		
	EC 1	2202-000148	C.CAPACITOR		US,UW,UT		FC2R	2401-001912	E.CAPACITOR		
	EC 2	2202-000817	C.CAPACITOR		US,UW,UT		FC251	2401-001912	E.CAPACITOR		
	EC 3	2401-002180	E.CAPACITOR		US,UW,UT		FC252	2401-001912	E.CAPACITOR		
	EC 4	2401-002180	E.CAPACITOR		US,UW,UT		FC253	2401-001912	E.CAPACITOR		
	EC 5	2202-000797	C.CAPACITOR		US,UW,UT		FC3L	2401-001912	E.CAPACITOR		
	EC 6	2202-000809	C.CAPACITOR		US,UW,UT		FC3R	2401-001912	E.CAPACITOR		
	EC 7	2202-000797	C.CAPACITOR		US,UW,UT		FC4L	2401-001912	E.CAPACITOR		
	EC 8	2401-001889	E.CAPACITOR		US,UW,UT		FC4R	2401-001912	E.CAPACITOR		
	EC 9	2401-000907	E.CAPACITOR		US,UW,UT		FC5L	2401-001912	E.CAPACITOR		
	EC 10	2401-001465	E.CAPACITOR		US,UW,UT		FC6L	2401-002180	E.CAPACITOR		
	EC 11	2202-000854	C.CAPACITOR		US,UW,UT		FC6R	2401-002180	E.CAPACITOR		
	EC 12	2202-000797	C.CAPACITOR		US,UW,UT		FC7L	2401-001912	E.CAPACITOR		
	EC 15	2202-000797	C.CAPACITOR		US,UW,UT		FC7R	2401-001912	E.CAPACITOR		
	ECW 1	3711-001062	CONNECTOR		US,UW,UT		FC8L	2301-000454	M.CAPACITOR		
	ED 1	0401-000101	DIODE		US,UW,UT		FC8R	2301-000454	M.CAPACITOR		
	ED 2	0401-000101	DIODE		US,UW,UT		FC9L	2301-000387	M.CAPACITOR		
	EIC 1	1204-001730	IC		US,UW,UT		FC9R	2301-000387	M.CAPACITOR		
	EQ 1	0501-000398	TRANSISTOR		US,UW,UT		FD 2	0401-000101	DIODE		
	EQ 2	0504-000118	DIGI TRANSISTOR		US,UW,UT		FD 3	0401-000101	DIODE		
	EQ 3	0504-000118	DIGI TRANSISTOR		US,UW,UT		FIC 1	1204-001776	IC		
	ER 2	2001-000522	CARBON RESISTOR				FIC 2	1201-000163	IC		
	ER 3	2001-000290	CARBON RESISTOR		US,UW,UT		FIC 4	1201-000163	IC		
	ER 4	2001-000977	CARBON RESISTOR		US,UW,UT		FQ 2	0504-001003	DIGI TRANSISTOR		
	ER 5	2001-000522	CARBON RESISTOR		US,UW,UT		FQ 4	0501-000398	TRANSISTOR		
	ER 6	2001-000563	CARBON RESISTOR		US,UW,UT		FQ1L	0504-000122	DIGI TRANSISTOR		
	ER 7	2001-000429	CARBON RESISTOR		US,UW,UT		FQ1R	0504-000122	DIGI TRANSISTOR		
	ER 8	2001-000734	CARBON RESISTOR		US,UW,UT		FQ151	0504-000144	DIGI TRANSISTOR		
	ER 9	2001-000008	CARBON RESISTOR		US,UW,UT		FQ152	0504-000118	DIGI TRANSISTOR		
	ER 10	2001-000290	CARBON RESISTOR		US,UW,UT		FR 9	2001-000027	CARBON RESISTOR		
	ER 11	2001-000734	CARBON RESISTOR		US,UW,UT		FR 18	2001-000515	CARBON RESISTOR		
	ER 12	2001-000563	CARBON RESISTOR		US,UW,UT		FR 20	2001-000515	CARBON RESISTOR		
	ER 13	2001-000290	CARBON RESISTOR		US,UW,UT		FR 21	2001-000864	CARBON RESISTOR		
	ER 14	2001-000319	CARBON RESISTOR		US,UW,UT		FR 22	2001-000864	CARBON RESISTOR		
	ER 15	2001-000563	CARBON RESISTOR		US,UW,UT		FR 23	2001-000773	CARBON RESISTOR		
	ER 16	2001-000034	CARBON RESISTOR		US,UW,UT		FR 24	2001-000290	CARBON RESISTOR		
	ER 25	2001-000786	CARBON RESISTOR		US,UW,UT		FR 25	2001-000429	CARBON RESISTOR		
	EZD 1	0403-000354	ZENER DIODE		US,UW,UT		FR 26	2001-000850	CARBON RESISTOR		
	FC 9	2401-000419	E.CAPACITOR				FR 28	2001-000645	CARBON RESISTOR		
	FC 11	2401-001975	E.CAPACITOR				FR 51	2001-000515	CARBON RESISTOR		
	FC 17	2401-001954	E.CAPACITOR				FR 52	2001-000786	CARBON RESISTOR		
	FC 23	2401-000419	E.CAPACITOR				FR 53	2001-000515	CARBON RESISTOR		
	FC 31	2401-000759	E.CAPACITOR				FR 54	2001-000786	CARBON RESISTOR		
	FC 32	2401-001954	E.CAPACITOR				FR 55	2001-000890	CARBON RESISTOR		
	FC 35	2301-000361	M.CAPACITOR				FR 56	2001-000411	CARBON RESISTOR		
	FC 36	2301-000375	M.CAPACITOR				FR 57	2001-000273	CARBON RESISTOR		
	FC 50	2401-000419	E.CAPACITOR				FR 58	2001-000273	CARBON RESISTOR		
	FC 51	2202-000806	C.CAPACITOR				FR 59	2001-000411	CARBON RESISTOR		
	FC 52	2202-000806	C.CAPACITOR				FR 61	2001-000429	CARBON RESISTOR		US,UW,UT
	FC 53	2401-001912	E.CAPACITOR				FR 62	2001-000429	CARBON RESISTOR		
	FC 54	2401-001912	E.CAPACITOR				FR 81	2001-000786	CARBON RESISTOR		
	FC 57	2401-001975	E.CAPACITOR				FR 82	2001-000591	CARBON RESISTOR		
	FCW 1	3708-000122	CONNECTOR				FR1L	2001-000411	CARBON RESISTOR		
	FCW 2	3708-001094	CONNECTOR				FR1R	2001-000411	CARBON RESISTOR		
	FCW 3	3708-000258	CONNECTOR	30P 1.25MM			FR10L	2001-000429	CARBON RESISTOR		US,UW,UT
	FC1L	2201-000368	C.CAPACITOR				FR10R	2001-000429	CARBON RESISTOR		US,UW,UT
	FC1R	2201-000368	C.CAPACITOR				FR11L	2001-000429	CARBON RESISTOR		US,UW,UT
	FC10L	2301-000387	M.CAPACITOR				FR11R	2001-000429	CARBON RESISTOR		US,UW,UT
	FC10R	2301-000387	M.CAPACITOR				FR12L	2001-000591	CARBON RESISTOR		
	FC12L	2202-000781	C.CAPACITOR		US,UW,UT		FR12R	2001-000591	CARBON RESISTOR		
	FC12R	2202-000781	C.CAPACITOR		US,UW,UT		FR13L	2001-000734	CARBON RESISTOR		US,UW,UT
	FC13L	2202-000806	C.CAPACITOR				FR13R	2001-000734	CARBON RESISTOR		US,UW,UT
	FC13R	2201-000368	C.CAPACITOR		US,UW,UT		FR15L	2001-000591	CARBON RESISTOR		US,UW,UT

■ Electrical parts list(Main board)

Block No. 01

△	Item	Parts number	Parts name	Remarks	Area	△	Item	Parts number	Parts name	Remarks	Area
	FR15R	2001-000591	CARBON RESISTOR		US,UW,UT		JC12R	2401-000419	E.CAPACITOR		
	FR2L	2001-000411	CARBON RESISTOR				JC13L	2401-002180	E.CAPACITOR		
	FR2R	2001-000411	CARBON RESISTOR				JC13R	2401-002180	E.CAPACITOR		
	FR251	2001-000591	CARBON RESISTOR				JC14L	2401-001465	E.CAPACITOR		
	FR252	2001-000786	CARBON RESISTOR				JC14R	2401-001465	E.CAPACITOR		
	FR253	2001-000290	CARBON RESISTOR				JC15L	2401-002180	E.CAPACITOR		
	FR27L	2001-000786	CARBON RESISTOR		US,UW,UT		JC15R	2401-002180	E.CAPACITOR		
	FR27R	2001-000786	CARBON RESISTOR				JC151	2401-001912	E.CAPACITOR		
	FR4L	2001-000924	CARBON RESISTOR				JC16L	2201-000368	C.CAPACITOR		
	FR4R	2001-000924	CARBON RESISTOR				JC16R	2201-000368	C.CAPACITOR		
	FR5L	2001-000864	CARBON RESISTOR				JC17L	2301-000413	M.CAPACITOR		
	FR5R	2001-000864	CARBON RESISTOR				JC17R	2301-000413	M.CAPACITOR		
	FR6L	2001-000411	CARBON RESISTOR				JC19L	2301-000462	M.CAPACITOR		
	FR6R	2001-000411	CARBON RESISTOR				JC19R	2301-000462	M.CAPACITOR		
	FR8L	2001-000802	CARBON RESISTOR				JC20L	2401-000419	E.CAPACITOR		
	FR8R	2001-000802	CARBON RESISTOR				JC21L	2401-000419	E.CAPACITOR		
	FZD 1	0403-000372	ZENER DIODE				JC21R	2401-000419	E.CAPACITOR		
	HC 1	2401-000795	E.CAPACITOR				JC22L	2301-000407	M.CAPACITOR		
	HC 2	2401-000795	E.CAPACITOR				JC22R	2301-000407	M.CAPACITOR		
	HCW 2	AH39-00247A	LEAD CONNECTOR				JC23L	2201-000674	C.CAPACITOR		
	HCW 3	3711-001062	CONNECTOR				JC23R	2201-000674	C.CAPACITOR		
	HC1L	2401-001912	E.CAPACITOR				JC24L	2301-000370	M.CAPACITOR		
	HC1R	2401-001912	E.CAPACITOR				JC24R	2301-000370	M.CAPACITOR		
	HC2L	2401-001465	E.CAPACITOR				JC3L	2401-001465	E.CAPACITOR		
	HC2R	2401-001465	E.CAPACITOR				JC3R	2401-001465	E.CAPACITOR		
	HC3L	2201-000642	C.CAPACITOR				JC30L	2201-000368	C.CAPACITOR		
	HC3R	2201-000642	C.CAPACITOR				JC30R	2201-000368	C.CAPACITOR		
	HD 1	0401-000101	DIODE				JC300	2201-000499	C.CAPACITOR		
	HIC 1	1201-000163	IC				JC4L	2301-000413	M.CAPACITOR		
	HJK 1	3722-000351	PHONE JACK				JC4R	2301-000413	M.CAPACITOR		
	HQ1L	0501-000407	TRANSISTOR				JC5L	2401-001954	E.CAPACITOR		
	HQ1R	0501-000407	TRANSISTOR				JC5R	2401-001954	E.CAPACITOR		
	HR 1	2001-000028	CARBON RESISTOR				JC8L	2301-000413	M.CAPACITOR		
	HR 2	2001-000028	CARBON RESISTOR				JC8R	2301-000413	M.CAPACITOR		
	HR1L	2001-000449	CARBON RESISTOR				JD 1	0401-000101	DIODE		
	HR1R	2001-000449	CARBON RESISTOR				JD 2	0401-000101	DIODE		
	HR2L	2001-000449	CARBON RESISTOR				JD 3	0401-000101	DIODE		
	HR2R	2001-000591	CARBON RESISTOR				JIC 1	1201-000358	IC	S1A0291*01-A0B0	
	HR3L	2001-000734	CARBON RESISTOR				JIC 2	1201-000163	IC		
	HR3R	2001-000734	CARBON RESISTOR				JL 1	2701-000298	INDUCTOR	AX470UH AXIAL	
	HR4L	2001-000290	CARBON RESISTOR				JL 2	AH26-10003C	TRAP COIL	PCHNS-5371EQ	
	HR4R	2001-000290	CARBON RESISTOR				JLP1L	AH26-10002W	TRAP COIL	BIAS-TRAP105K	
	HR5L	2001-000019	CARBON RESISTOR				JLP1R	AH26-10002W	TRAP COIL	BIAS-TRAP105K	
	HR5R	2001-000019	CARBON RESISTOR				JL1L	AH27-10001D	CHOKO COIL		
	JC 7	2401-000419	E.CAPACITOR				JL1R	AH27-10001D	CHOKO COIL		
	JC 9	2401-000240	E.CAPACITOR				JQ 6	0504-001003	DIGITAL TR		
	JC 10	2401-001954	E.CAPACITOR				JQ 8	0504-001003	DIGITAL TR		
	JC 11	2401-000795	E.CAPACITOR				JQ 10	0501-000398	TRANSISTOR		
	JC 26	2301-000404	M.CAPACITOR				JQ 14	0501-000610	TRANSISTOR		
	JC 27	2301-000404	M.CAPACITOR				JQ 15	0501-000369	TRANSISTOR		
	JC 28	2401-001975	E.CAPACITOR				JQ 16	0501-000398	TRANSISTOR		
	JC 29	2301-000407	M.CAPACITOR				JQ 51	0504-001003	DIGI TRANSISTOR		
	JC 31	2401-002180	E.CAPACITOR				JQ11L	0501-000407	TRANSISTOR		
	JC 35	2201-000601	C.CAPACITOR				JQ11R	0501-000407	TRANSISTOR		
	JC 37	2201-000601	C.CAPACITOR				JQ2L	0501-000010	TRANSISTOR		
	JC 51	2401-001938	E.CAPACITOR				JQ2R	0501-000010	TRANSISTOR		
	JCW 1	3711-003107	CONNECTOR				JQ3L	0501-000010	TRANSISTOR		
	JCW 2	3711-003111	CONNECTOR				JQ3R	0501-000010	TRANSISTOR		
	JCW 3	3711-003107	CONNECTOR				JQ4L	0501-000398	TRANSISTOR		
	JC1L	2301-000370	M.CAPACITOR				JQ4R	0501-000398	TRANSISTOR		
	JC1R	2301-000370	M.CAPACITOR				JQ5L	0501-000407	TRANSISTOR		
	JC10L	2201-000368	C.CAPACITOR				JQ5R	0501-000407	TRANSISTOR		
	JC10R	2201-000368	C.CAPACITOR				JR 4	2001-000522	CARBON RESISTOR		

■ Electrical parts list(Main board)

Block No. 01

△	Item	Parts number	Parts name	Remarks	Area	△	Item	Parts number	Parts name	Remarks	Area
	JR 13	2001-000773	CARBON RESISTOR				JR5L	2001-000449	CARBON RESISTOR		
	JR 14	2001-000802	CARBON RESISTOR				JR5R	2001-000449	CARBON RESISTOR		
	JR 15	2001-000708	CARBON RESISTOR				JR6L	2001-000449	CARBON RESISTOR		
	JR 21	2001-000027	CARBON RESISTOR				JR6R	2001-000449	CARBON RESISTOR		
	JR 22	2001-000660	CARBON RESISTOR				JR7L	2001-000890	CARBON RESISTOR		
	JR 23	2001-000591	CARBON RESISTOR				JR7R	2001-000890	CARBON RESISTOR		
	JR 25	2001-000429	CARBON RESISTOR				JR9L	2001-000281	CARBON RESISTOR		
	JR 26	2001-000734	CARBON RESISTOR				JR9R	2001-000281	CARBON RESISTOR		
	JR 27	2001-000023	CARBON RESISTOR				JSR1L	2103-000492	SEMI V.RESISTOR		
	JR 29	2001-000786	CARBON RESISTOR				JSR1R	2001-000591	CARBON RESISTOR		
	JR 30	2001-000591	CARBON RESISTOR				JSR2L	2103-000248	SEMI V.RESISTOR		
	JR 31	2001-000734	CARBON RESISTOR				JSR2R	2103-000248	SEMI V.RESISTOR		
	JR 32	2001-000456	CARBON RESISTOR				JW 64	3811-000389	WIRE		
	JR 33	2001-000290	CARBON RESISTOR				JW 66	3811-000389	WIRE		
	JR 38	2001-000890	CARBON RESISTOR				KCW 1	3711-001557	CONNECTOR		US,UW,UT
	JR 39	2001-000290	CARBON RESISTOR				KCW 2	3711-001557	CONNECTOR		US,UW,UT
	JR 40	2001-000290	CARBON RESISTOR				PCW 1	3711-003112	CONNECTOR	5267-08P 2.5MM	
	JR 43	2001-000591	CARBON RESISTOR			△	RBD 1	0402-000450	BRIDGE DIODE		
	JR 44	2001-000522	CARBON RESISTOR			△	RBD 2	0402-001258	BRIDGE-DIODE		
	JR 45	2001-000522	CARBON RESISTOR			△	RC 1	2401-001928	E.CAPACITOR		
	JR 46	2001-000591	CARBON RESISTOR			△	RC 2	2401-001928	E.CAPACITOR		
	JR 51	2001-000660	CARBON RESISTOR			△	RC 3	2401-003381	E.CAPACITOR		
	JR 52	2001-000591	CARBON RESISTOR			△	RC 4	2401-003381	E.CAPACITOR		
	JR 53	2001-000319	CARBON RESISTOR				RC 5	2401-001954	E.CAPACITOR		
	JR 61	2001-000734	CARBON RESISTOR				RC 6	2401-000907	E.CAPACITOR		
	JR1L	2001-000890	CARBON RESISTOR				RC 7	2401-001912	E.CAPACITOR		
	JR1R	2001-000890	CARBON RESISTOR				RC 8	2401-001954	E.CAPACITOR		
	JR10L	2001-000449	CARBON RESISTOR			△	RC 11	2201-000161	C.CAPACITOR		
	JR10R	2001-000449	CARBON RESISTOR				RC 13	2401-000230	E.CAPACITOR		
	JR11L	2001-000802	CARBON RESISTOR				RC 14	2401-000795	E.CAPACITOR		
	JR11R	2001-000802	CARBON RESISTOR				RC 19	2401-001893	E.CAPACITOR		
	JR12L	2001-000734	CARBON RESISTOR				RC 20	2401-001893	E.CAPACITOR		
	JR12R	2001-000734	CARBON RESISTOR				RC 37	2401-000438	E.CAPACITOR		
	JR16L	2001-000613	CARBON RESISTOR			△	RC 81	2201-000161	C.CAPACITOR		
	JR16R	2001-000613	CARBON RESISTOR				RCW 1	AH37-22001N	CONNECTOR JACK		
	JR17L	2001-000003	CARBON RESISTOR				RCW 2	3711-000190	CONNECTOR		
	JR17R	2001-000003	CARBON RESISTOR				RCW 6	3711-001137	CONNECTOR		
	JR18L	2001-000734	CARBON RESISTOR				RD 1	0402-000127	DIODE		
	JR18R	2001-000734	CARBON RESISTOR				RD 2	0402-000127	DIODE		
	JR19L	2001-000522	CARBON RESISTOR		US,UW,UT		RD 3	0402-000127	DIODE		
	JR19R	2001-000522	CARBON RESISTOR				RD 5	0402-000127	DIODE		
	JR2L	2001-000890	CARBON RESISTOR				RD 7	0401-000101	DIODE		
	JR2R	2001-000890	CARBON RESISTOR				RD 8	0402-000151	DIODE		
	JR20L	2001-000977	CARBON RESISTOR				RD 9	0402-000127	DIODE		
	JR20R	2001-000977	CARBON RESISTOR				RD 10	0402-000127	DIODE		
	JR24L	2001-000613	CARBON RESISTOR				RD 30	0402-000151	DIODE		
	JR24R	2001-000613	CARBON RESISTOR				RD 31	0402-000151	DIODE		
	JR251	2001-000008	CARBON RESISTR				RD 32	0402-000151	DIODE		
	JR252	2001-000449	CARBON RESISTOR			△	RF 23	2008-000135	FUSE.RESISTOR		
	JR253	2001-000449	CARBON RESISTOR				RFS22	3602-000147	FUSE CLIP		
	JR254	2001-000008	CARBON RESISTR				RFS52	3602-000147	FUSE CLIP		
	JR28L	2001-000734	CARBON RESISTOR				RFS62	3602-000147	FUSE CLIP		
	JR28R	2001-000734	CARBON RESISTOR				RFS72	3602-000147	FUSE CLIP		
	JR3L	2001-000591	CARBON RESISTOR				RFS82	3602-000147	FUSE CLIP		
	JR3R	2001-000591	CARBON RESISTOR				RIC 1	1203-001653	IC		
	JR37L	2001-000786	CARBON RESISTOR				RJW 1	AH39-50001L	LEAD FASTEN		
	JR37R	2001-000786	CARBON RESISTOR				RL 1	2701-000298	INDUCTOR	AX470UH AXIAL	
	JR40L	2001-000302	CARBON RESISTOR				RQ 1	0501-000610	TRANSISTOR		
	JR40R	2001-000302	CARBON RESISTOR				RQ 3	0501-000331	TRANSISTOR		
	JR41L	2001-000008	CARBON RESISTR				RQ 4	0501-000294	TRANSISTOR		
	JR41R	2001-000008	CARBON RESISTR				RR 1	2003-000701	OMF RESISTOR		
	JR42L	2001-000429	CARBON RESISTOR				RR 3	2001-000023	CARBON RESISTOR		
	JR42R	2001-000429	CARBON RESISTOR				RR 4	2001-000023	CARBON RESISTOR		

■ Electrical parts list(Main board)

Block No. 01

△	Item	Parts number	Parts name	Remarks	Area
	RR 5	2001-000613	CARBON RESISTOR		
	RR 6	2001-000734	CARBON RESISTOR		
	RR 8	2003-000455	OMF RESISTOR		
	RR 9	2001-000563	CARBON RESISTOR		
	RR 10	2001-000055	CARBON RESISTOR		
	RR 11	2001-000591	CARBON RESISTOR		
	RR 12	2001-000734	CARBON RESISTOR		
	RR 13	2001-000111	CARBON RESISTOR		
	RR 15	2001-000734	CARBON RESISTOR		
	RR 16	2001-000038	CARBON RESISTOR		
	RR 17	2001-000429	CARBON RESISTOR		
	RR 20	2001-000786	CARBON RESISTOR		
	RW 1	AH39-00245A	LEAD CONNECTOR		
	RW 2	AH39-00244A	LEAD CONNECTOR		
	RZD 1	0403-000379	ZENER DIODE		
	RZD 2	0403-000570	ZENER DIODE		
	RZD 3	0403-000570	ZENER DIODE		
	RZD 4	0403-000354	ZENER DIODE		
	RZD 5	0403-001010	ZENER DIODE		
	TC101	2201-000783	C.CAPACITOR		
	TC102	2201-000783	C.CAPACITOR		

■ Electrical parts list(Front board)

Block No. 02

△	Item	Parts number	Parts name	Remarks	Area
	ECW 1	AH39-00249B	LEAD CONNECTOR		
	MC 1	2401-001975	E.CAPACITOR		
	MC 2	2201-000231	C.CAPACITOR		
	MC 3	2401-001954	E.CAPACITOR		
	MC 4	2401-001954	E.CAPACITOR		
	MC 5	2401-001954	E.CAPACITOR		
	MC 6	2401-001975	E.CAPACITOR		
	MC 7	2401-001954	E.CAPACITOR		
	MC 8	2401-001912	E.CAPACITOR		
	MC 9	2201-000653	C.CAPACITOR		
	MC 10	2401-001954	E.CAPACITOR		
	MC 11	2201-000783	C.CAPACITOR		
	MC 12	2401-001912	E.CAPACITOR		
	MCW 1	AH39-00246A	LEAD CONNECTOR		
	MCW 2	AH39-00248A	LEAD CONNECTOR		
	MD 1	0401-000101	DIODE		
	MD 2	0401-000101	DIODE		
	MIC	3722-000351	PHONE JACK		
	MIC 1	1201-000163	IC		
	MQ 1	0501-000398	TRANSISTOR		
	MQ 2	0501-000398	TRANSISTOR		
	MR 1	2001-000356	CARBON RESISTOR		
	MR 2	2001-000290	CARBON RESISTOR		
	MR 3	2001-000290	CARBON RESISTOR		
	MR 4	2001-000449	CARBON RESISTOR		
	MR 5	2001-000472	CARBON RESISTOR		
	MR 6	2001-000290	CARBON RESISTOR		
	MR 7	2001-000429	CARBON RESISTOR		
	MR 8	2001-000734	CARBON RESISTOR		
	MR 9	2001-000273	CARBON RESISTR		
	MR 10	2001-000472	CARBON RESISTOR		
	MR 11	2001-000522	CARBON RESISTOR		
	MR 12	2001-000734	CARBON RESISTOR		
	MR 13	2001-000734	CARBON RESISTOR		
	MR 14	2001-000734	CARBON RESISTOR		
	MR 15	2001-000515	CARBON RESISTOR		
	MVR 1	2101-001068	ROTARY V.RESIST	XV092PHPN20F-1B	
	PCB	AH41-00261A	PCB FRONT		
	R-EYE	AC59-60060A	MODULE-REMOCON		
	UC 1	2401-000475	E.CAPACITOR		
	UC 2	2201-000565	C.CAPACITOR		
	UC 3	2401-000475	E.CAPACITOR		
	UC 4	2201-000565	C.CAPACITOR		
	UC 5	2201-000565	C.CAPACITOR		
	UC 6	2201-000825	C.CAPACITOR		
	UC 7	2201-000825	C.CAPACITOR		
	UC 8	2201-000247	C.CAPACITOR		
	UC 9	2201-000247	C.CAPACITOR		
	UC 10	2401-000240	E.CAPACITOR		
	UC 11	2401-000759	E.CAPACITOR		
	UC 12	2401-001355	E.CAPACITOR		
	UC 15	2201-000565	C.CAPACITOR		
	UC 17	2401-001954	E.CAPACITOR		
	UC 19	2201-000565	C.CAPACITOR		
	UC 20	2201-000163	C.CAPACITOR		
	UC 21	2201-000163	C.CAPACITOR		
	UC 30	2201-000146	C.CAPACITOR		
	UC 32	2401-001364	E.CAPACITOR		
	UCW 1	3708-000492	CONNECTOR		
	UCW 2	3708-000178	CONNECTOR		
	UCW 3	3708-000454	CONNECTOR		
	UCW 4	3708-000451	CONNECTOR		
	UCW 5	3708-000492	CONNECTOR		

■ Electrical parts list(Front board)

Block No. 02

△	Item	Parts number	Parts name	Remarks	Area	△	Item	Parts number	Parts name	Remarks	Area
	UCW 6	3708-001488	CONNECTOR				UR 21	2001-000734	CARBON RESISTOR		
	UCW 7	3708-000181	CONNECTOR				UR 22	2001-000734	CARBON RESISTOR		
	UD 1	0401-000101	DIODE				UR 23	2001-000734	CARBON RESISTOR		
	UD 2	0401-000101	DIODE				UR 24	2001-000734	CARBON RESISTOR		
	UD 3	0401-000101	DIODE				UR 25	2001-000734	CARBON RESISTOR		
	UD 11	0402-000127	DIODE				UR 26	2001-000734	CARBON RESISTOR		
	UD 12	0402-000127	DIODE				UR 27	2001-000734	CARBON RESISTOR		
	UD 13	0402-000127	DIODE				UR 28	2001-000786	CARBON RESISTOR		
	UD 14	0401-000101	DIODE				UR 29	2001-000786	CARBON RESISTOR		
	UD 15	0401-000101	DIODE				UR 30	2001-000786	CARBON RESISTOR		
	UD 16	0401-000101	DIODE				UR 31	2001-000786	CARBON RESISTOR		
	UD 17	0401-000101	DIODE				UR 32	2001-000786	CARBON RESISTOR		
	UD 18	0402-000127	DIODE				UR 33	2001-000786	CARBON RESISTOR		
	UD 19	0402-000127	DIODE				UR 34	2001-000290	CARBON RESISTOR		
	UIC 2	0904-001316	IC				UR 35	2001-000290	CARBON RESISTOR		
	ULD 1	0601-001238	LED				UR 36	2001-000290	CARBON RESISTOR		
	ULD 2	0601-001238	LED				UR 37	2001-000290	CARBON RESISTOR		
	ULD 3	0601-001238	LED				UR 38	2001-000290	CARBON RESISTOR		
	ULD 4	0601-001238	LED				UR 39	2001-000290	CARBON RESISTOR		
	ULD 5	0601-001238	LED				UR 40	2001-000591	CARBON RESISTOR		
	ULD 6	0601-001238	LED				UR 41	2001-000429	CARBON RESISTOR		
	ULD 7	0601-001238	LED				UR 42	2001-000429	CARBON RESISTOR		
	ULD 8	0601-001238	LED				UR 43	2001-000435	CARBON RESISTOR		
	ULD 9	0601-001238	LED				UR 44	2001-000734	CARBON RESISTOR		
	ULD10	0601-001238	LED				UR 45	2001-000508	CARBON RESISTOR		
	ULD11	0601-001238	LED				UR 46	2001-000793	CARBON RESISTOR		
	ULD12	0601-001238	LED				UR 47	2001-000850	CARBON RESISTOR		
	UQ 1	0504-000117	DIGI TRNSISTOR	KSR1002TA/KRC10			UR 48	2001-000295	CARBON RESISTOR		
	UQ 2	0504-000117	DIGI TRNSISTOR	KSR1002TA/KRC10			UR 49	2001-001178	CARBON RESISTOR		
	UQ 3	0504-000117	DIGI TRNSISTOR	KSR1002TA/KRC10			UR 50	2001-001178	CARBON RESISTOR		
	UQ 4	0504-000117	DIGI TRNSISTOR	KSR1002TA/KRC10			UR 51	2001-001178	CARBON RESISTOR		
	UQ 5	0504-000118	DIGI TRNSISTOR				UR 52	2001-000522	CARBON RESISTOR		
	UQ 6	0501-000398	TRANSISTOR				UR 54	2001-000995	CARBON RESISTOR		
	UQ 7	0504-000118	DIGI TRNSISTOR				UR 55	2001-000290	CARBON RESISTOR		
	UQ 8	0501-000610	TRANSISTOR				UR 56	2001-000429	CARBON RESISTOR		
	UQ 9	0504-000118	DIGI TRNSISTOR				UR 57	2001-000429	CARBON RESISTOR		
	UQ 10	0501-000610	TRANSISTOR				UR 58	2001-000429	CARBON RESISTOR		
	UQ 11	0501-000610	TRANSISTOR				UR 59	2001-000429	CARBON RESISTOR		
	UQ 12	0504-000117	DIGI TRNSISTOR	KSR1002TA/KRC10			UR 60	2001-000429	CARBON RESISTOR		
	UQ 13	0504-000117	DIGI TRNSISTOR	KSR1002TA/KRC10			UR 61	2001-000429	CARBON RESISTOR		
	UQ 14	0504-000117	DIGI TRNSISTOR	KSR1002TA/KRC10			UR 62	2001-000429	CARBON RESISTOR		
	UQ 15	0504-000117	DIGI TRNSISTOR	KSR1002TA/KRC10			UR 63	2001-000290	CARBON RESISTOR		
	UQ 17	0504-000118	DIGI TRNSISTOR				UR 64	2001-000290	CARBON RESISTOR		
	UQ 18	0501-000398	TRANSISTOR				UR 65	2001-000290	CARBON RESISTOR		
	UR 1	2001-000003	CARBON RESISTOR				UR 66	2001-000290	CARBON RESISTOR		
	UR 2	2001-000995	CARBON RESISTOR				UR 67	2001-000290	CARBON RESISTOR		
	UR 4	2001-000855	CARBON RESISTOR				UR 68	2001-000290	CARBON RESISTOR		
	UR 5	2001-000855	CARBON RESISTOR				UR 69	2001-000290	CARBON RESISTOR		
	UR 6	2001-000855	CARBON RESISTOR				UR 70	2001-000290	CARBON RESISTOR		
	UR 7	2001-000429	CARBON RESISTOR				UR 71	2001-000290	CARBON RESISTOR		
	UR 8	2001-000221	CARBON RESISTOR				UR 72	2001-000290	CARBON RESISTOR		
	UR 9	2001-000241	CARBON RESISTOR				UR 73	2001-000429	CARBON RESISTOR		
	UR 10	2001-000258	CARBON RESISTOR				UR 74	2001-000290	CARBON RESISTOR		
	UR 11	2001-000522	CARBON RESISTOR				UR 75	2001-000290	CARBON RESISTOR		
	UR 12	2001-000734	CARBON RESISTOR				UR 76	2001-000290	CARBON RESISTOR		
	UR 13	2001-000734	CARBON RESISTOR				UR 77	2001-000005	CARBON RESISTOR		
	UR 14	2001-000734	CARBON RESISTOR				UR 79	2001-000290	CARBON RESISTOR		
	UR 15	2001-000734	CARBON RESISTOR				UR 80	2001-000290	CARBON RESISTOR		
	UR 16	2001-000734	CARBON RESISTOR				UR 81	2001-000290	CARBON RESISTOR		
	UR 17	2001-000734	CARBON RESISTOR				UR 82	2001-000290	CARBON RESISTOR		
	UR 18	2001-000734	CARBON RESISTOR				UR 83	2001-000290	CARBON RESISTOR		
	UR 19	2001-000734	CARBON RESISTOR				UR 84	2001-000290	CARBON RESISTOR		
	UR 20	2001-000734	CARBON RESISTOR				UR 85	2001-000290	CARBON RESISTOR		

■ Electrical parts list(Front board)

Block No. 02

△	Item	Parts number	Parts name	Remarks	Area
	UR 86	2001-000290	CARBON RESISTOR		
	UR 87	2001-000290	CARBON RESISTOR		
	UR 88	2001-000290	CARBON RESISTOR		
	UR 89	2001-000290	CARBON RESISTOR		
	UR 90	2001-000290	CARBON RESISTOR		
	UR 91	2001-000290	CARBON RESISTOR		
	UR 92	2001-000429	CARBON RESISTOR		
	UR 93	2001-000995	CARBON RESISTOR		
	UR 94	2001-000221	CARBON RESISTOR		
	UR110	2001-000995	CARBON RESISTOR		
	UR111	2001-000855	CARBON RESISTOR		
	UR112	2001-000241	CARBON RESISTOR		
	UR113	2001-000855	CARBON RESISTOR		
	UR114	2001-000258	CARBON RESISTOR		
	UR115	2001-000855	CARBON RESISTOR		
	UR116	2001-000591	CARBON RESISTOR		
	UR117	2001-000449	CARBON RESISTOR		
	UR118	2001-000890	CARBON RESISTOR		
	UR119	2001-000290	CARBON RESISTOR		
	UR120	2001-000890	CARBON RESISTOR		
	UR121	2001-000290	CARBON RESISTOR		
	UR123	2001-000010	CARBON RESISTOR		
	UR124	2001-000734	CARBON RESISTOR		
	UR125	2001-000734	CARBON RESISTOR		
	UR126	2001-000591	CARBON RESISTOR		
	UR127	2001-000449	CARBON RESISTOR		
	UR128	2001-000258	CARBON RESISTOR		
	UR129	2001-000241	CARBON RESISTOR		
	UR130	2001-000221	CARBON RESISTOR		
	UR131	2001-000429	CARBON RESISTOR		
	UR150	2001-000786	CARBON RESISTOR		
	UR151	2001-000786	CARBON RESISTOR		
	UR152	2001-000786	CARBON RESISTOR		
	UR153	2001-000786	CARBON RESISTOR		
	UR154	2001-000290	CARBON RESISTOR		
	UR162	2001-000290	CARBON RESISTOR		
	UR164	2001-000515	CARBON RESISTOR		
	UR196	2001-000855	CARBON RESISTOR		
	UR201	2001-000290	CARBON RESISTOR		
	UR202	2001-000290	CARBON RESISTOR		
	UR203	2001-000290	CARBON RESISTOR		
	UR204	2001-000290	CARBON RESISTOR		
	UR205	2001-000290	CARBON RESISTOR		
	UR206	2001-000290	CARBON RESISTOR		
	UR207	2001-000290	CARBON RESISTOR		
	UR208	2001-000429	CARBON RESISTOR		
	UR209	2001-000857	CARBON RESISTOR		
	USR 1	2103-000341	SEMI V.RESISTOR		
	USW 1	3404-000165	TACT SWITCH		
	USW 2	3404-000165	TACT SWITCH		
	USW 3	3404-000165	TACT SWITCH		
	USW 4	3404-000165	TACT SWITCH		
	USW 5	3404-000165	TACT SWITCH		
	USW 6	3404-000165	TACT SWITCH		
	USW 7	3404-000165	TACT SWITCH		
	USW 8	3404-000165	TACT SWITCH		
	USW 9	3404-000165	TACT SWITCH		
	USW10	3404-000165	TACT SWITCH		
	USW11	3404-000165	TACT SWITCH		
	USW12	3404-000165	TACT SWITCH		
	USW13	3404-000165	TACT SWITCH		
	USW14	3404-000165	TACT SWITCH		
	USW15	3404-000165	TACT SWITCH		

△	Item	Parts number	Parts name	Remarks	Area
	USW16	3404-000165	TACT SWITCH		
	USW17	3404-000165	TACT SWITCH		
	USW18	3404-000165	TACT SWITCH		
	USW19	3404-000165	TACT SWITCH		
	USW20	3404-000165	TACT SWITCH		
	USW21	3404-000165	TACT SWITCH		
	USW22	3404-000165	TACT SWITCH		
	USW23	3404-000165	TACT SWITCH		
	USW24	3404-000165	TACT SWITCH		
	USW25	3404-000165	TACT SWITCH		
	USW26	3404-000165	TACT SWITCH		
	USW27	3404-000165	TACT SWITCH		
	USW28	3404-000165	TACT SWITCH		
	USW29	3404-000165	TACT SWITCH		
	USW30	3404-000165	TACT SWITCH		
	USW31	3404-000165	TACT SWITCH		
	USW32	3404-000165	TACT SWITCH		
	UVR 1	3406-001071	ROTARY SWITCH		
	UVR 2	3406-001047	ROTARY SWITCH	RE012104PVB25FI	
	UVR 3	3406-001047	ROTARY SWITCH	RE012104PVB25FI	
	UX 1	2802-000181	RESONATOR		
	UX 2	2801-001394	CRYSTAL		
	VFD	AH07-00040A	VF DISPLAY		

■ Electrical parts list(Amp board)

Block No. 03

△	Item	Parts number	Parts name	Remarks	Area
	AC 20	2401-000871	E.CAPACITOR		
	AC 22	2401-001912	E.CAPACITOR		
	AC 23	2401-001912	E.CAPACITOR		
	ACW 1	3708-001094	CONNECTOR		
	ACW 2	3711-001011	CONNECTOR		
	AC1L	2201-000368	C.CAPACITOR		
	AC1R	2201-000368	C.CAPACITOR		
	AC15L	2301-000375	M.CAPACITOR		
	AC15R	2301-000375	M.CAPACITOR		
	AC2L	2401-000357	E.CAPACITOR		
	AC2R	2401-000357	E.CAPACITOR		
	AC3R	2401-000385	E.CAPACITOR		
	AC300	2401-001364	E.CAPACITOR		
	AC301	2401-000385	E.CAPACITOR		
	AC302	2401-000385	E.CAPACITOR		
	AC4L	2401-001154	E.CAPACITOR		
	AC4R	2401-001154	E.CAPACITOR		
	AC5L	2201-000838	C.CAPACITOR		
	AC5R	2201-000838	C.CAPACITOR		
	AC6L	2401-000385	E.CAPACITOR		
	AD 5	0402-000127	DIODE		
△	AIC 1	1201-001599	IC		
	AL1L	AH27-90001A	SPRING COIL	2.2UH	
	AL1R	AH27-90001A	SPRING COIL	2.2UH	
	AQ 5	0501-000407	TRANSISTOR		
	AQ 6	0501-000010	TRANSISTOR		
	AQ 7	0501-000407	TRANSISTOR		
	AQ 8	0501-000610	TRANSISTOR		
	AQ2L	0501-000407	TRANSISTOR		
	AQ2R	0501-000407	TRANSISTOR		
	AQ300	0501-000398	TRANSISTOR		
	AQ301	0501-000398	TRANSISTOR		
	AQ302	0501-000303	TRANSISTOR		
	AQ313	0501-000398	TRANSISTOR		
	AR 13	2003-000008	OMF RESISTOR		
	AR 20	2001-000591	CARBON RESISTOR		
	AR 21	2001-000429	CARBON RESISTOR		
	AR 25	2001-000515	CARBON RESISTOR		
	AR 26	2001-000273	CARBON RESISTOR		
	AR 32	2001-000591	CARBON RESISTOR		
	AR 33	2001-000591	CARBON RESISTOR		
	AR 35	2001-000429	CARBON RESISTOR		
	AR 36	2001-000429	CARBON RESISTOR		
	AR 77	2001-000065	CARBON RESISTOR		
	AR 78	2003-000008	OMF RESISTOR		
	ARL 1	3501-001197	RELAY	OSA-SS-212DM3	
	AR1L	2001-000290	CARBON RESISTOR		
	AR1R	2001-000290	CARBON RESISTOR		
	AR15L	2003-000689	OMF RESISTOR		
	AR15R	2003-000689	OMF RESISTOR		
	AR2L	2001-000221	CARBON RESISTOR		
	AR2R	2001-000221	CARBON RESISTOR		
	AR3L	2001-000864	CARBON RESISTOR		
	AR3R	2001-000864	CARBON RESISTOR		
	AR300	2001-000522	CARBON RESISTOR		
	AR301	2001-000660	CARBON RESISTOR		
	AR302	2001-000522	CARBON RESISTOR		
	AR304	2001-000290	CARBON RESISTOR		
	AR305	2001-000522	CARBON RESISTOR		
	AR306	2001-000864	CARBON RESISTOR		
	AR307	2001-000864	CARBON RESISTOR		
	AR308	2001-000734	CARBON RESISTOR		
	AR309	2001-000786	CARBON RESISTOR		

△	Item	Parts number	Parts name	Remarks	Area
	AR310	2001-000786	CARBON RESISTOR		
	AR311	2001-000449	CARBON RESISTOR		
	AR4L	2003-000390	OMF RESISTOR		
	AR4R	2003-000390	OMF RESISTOR		
	AR5L	2003-000390	OMF RESISTOR		
	AR5R	2003-000390	OMF RESISTOR		
	AR56L	2001-000864	CARBON RESISTOR		
	AR56R	2001-000864	CARBON RESISTOR		
	AR6L	2001-000017	CARBON RESISTOR		
	AR6R	2001-000017	CARBON RESISTOR		
	AR7L	2001-000449	CARBON RESISTOR		
	AR7R	2001-000449	CARBON RESISTOR		
	AR8L	2001-000591	CARBON RESISTOR		
	AR8R	2001-000591	CARBON RESISTOR		
	SPK 1	3716-001132	TERMINAL BLOCK		

■ Electrical parts list(Voice cancel board)

Block No. 04

△	Item	Parts number	Parts name	Remarks	Area
	C 301	2401-000907	E.CAPACITOR		
	C 302	2401-000438	E.CAPACITOR		
	C 303	2301-000216	M.CAPACITOR		
	C 304	2301-000470	M.CAPACITOR		
	C 305	2401-000438	E.CAPACITOR		
	C 306	2301-000462	M.CAPACITOR		
	C 307	2401-000656	E.CAPACITOR		
	C 308	2401-000438	E.CAPACITOR		
	C 309	2401-000438	E.CAPACITOR		
	C 310	2401-001954	E.CAPACITOR		
	C 311	2401-001912	E.CAPACITOR		
	CW301	3710-000209	CONNECTOR		
	CW302	3710-000209	CONNECTOR		
	IC301	1204-000393	IC		
△	R 301	2001-000027	CARBON RESISTOR		
	R 302	2001-000522	CARBON RESISTOR		
	R 303	2001-000522	CARBON RESISTOR		
	R 304	2001-000802	CARBON RESISTOR		
	R 305	2001-000894	CARBON RESISTOR		
	R 306	2001-000786	CARBON RESISTOR		
	R 307	2001-000281	CARBON RESISTOR		
	R 308	2001-000522	CARBON RESISTOR		
	R 309	2001-000802	CARBON RESISTOR		
	RCW 2	3711-000190	CONNECTOR		
	RFS 2	3602-000147	FUSE CLIP		
	RFS 3	3602-000147	FUSE CLIP		
	RFS 4	3602-000147	FUSE CLIP		
	RSW 1	AH34-00013A	AUTO P. SWITCH	Voltage selector	
	ZD301	0403-000317	ZENER DIODE		

■ Electrical parts list(CD board)

Block No. 05

△	Item	Parts number	Parts name	Remarks	Area	△	Item	Parts number	Parts name	Remarks	
	C 101	2401-000240	E.CAPACITOR				CW104	3711-003379	CONNECTOR	35366-0310	
	C 102	2203-000440	CHIP C.CAPACITR				CW105	3708-001438	COMMECTOR		
	C 103	2203-000257	CHIP C.CAPACITR				CW106	AH39-20025S	LEAD-CONNECTOR		
	C 104	2203-000257	CHIP C.CAPACITR				CW107	3711-000906	CONNECTOR		
	C 105	2203-000257	CHIP C.CAPACITR				C124A	2203-001063	CHIP C.CAPACITR		
	C 106	2203-001140	CHIP C.CAPACITR				C501L	2401-001954	E.CAPACITOR		
	C 107	2401-000240	E.CAPACITOR				C501R	2401-001954	E.CAPACITOR		
	C 108	2401-000240	E.CAPACITOR				C502L	2203-000440	CHIP C.CAPACITR		
	C 111	2203-000888	CHIP C.CAPACITR				C502R	2203-000440	CHIP C.CAPACITR		
	C 112	2203-000888	CHIP C.CAPACITR				D 301	0402-000151	DIODE		
	C 113	2202-000780	C.CAPACITOR				IC101	1204-001799	IC	KB922648P	
	C 114	2401-001954	E.CAPACITOR				IC201	0904-001524	IC		
	C 115	2203-000206	CHIP C.CAPACITR				IC301	1003-000179	IC		
	C 116	2203-000206	CHIP C.CAPACITR				IC401	1003-001162	IC		
	C 117	2203-000440	CHIP C.CAPACITR				IC402	1003-001162	IC		
	C 118	2203-000206	CHIP C.CAPACITR				IC801	AC14-12001G	IC	KA78L05Z-TA	
	C 119	2203-000800	CHIP C.CAPACITR				J 1	2007-000070	CHIP C.RESISTOR		
	C 120	2401-001968	E.CAPACITOR				J 2	2007-000070	CHIP C.RESISTOR		
	C 121	2203-000257	CHIP C.CAPACITR				J 3	2007-000070	CHIP C.RESISTOR		
	C 122	2203-001140	CHIP C.CAPACITR				J 4	2007-000029	CHIP C.RESISTOR		
	C 123	2401-000419	E.CAPACITOR				J 5	2007-000070	CHIP C.RESISTOR		
	C 124	2203-000206	CHIP C.CAPACITR				J 7	2007-000029	CHIP C.RESISTOR		
	C 126	2203-000491	CHIP C.CAPACITR				J 8	2007-000029	CHIP C.RESISTOR		
	C 127	2203-000592	CHIP C.CAPACITR				J 9	2007-000029	CHIP C.RESISTOR		
	C 128	2203-000800	CHIP C.CAPACITR				J 10	2007-000070	CHIP C.RESISTOR		
	C 129	2203-000206	CHIP C.CAPACITR				J 12	2007-000029	CHIP C.RESISTOR		
	C 130	2203-000206	CHIP C.CAPACITR				J 13	2007-000070	CHIP C.RESISTOR		
	C 131	2203-000178	CHIP C.CAPACITR				MJ 1	2007-000070	CHIP C.RESISTOR		
	C 132	2203-000178	CHIP C.CAPACITR				MR 1	2007-000090	CHIP C.RESISTOR		
	C 133	2401-000240	E.CAPACITOR				MR 2	2007-000090	CHIP C.RESISTOR		
	C 134	2203-000257	CHIP C.CAPACITR				MR 3	2007-000090	CHIP C.RESISTOR		
	C 135	2401-001968	E.CAPACITOR				Q 101	0501-000314	TRANSISTOR		
	C 201	2203-000681	CHIP C.CAPACITR				Q 301	0501-000610	TRANSISTOR		
	C 202	2203-000681	CHIP C.CAPACITR				Q 302	0501-000010	TRANSISTOR		
	C 203	2203-001222	CHIP C.CAPACITR				R 101	2007-000098	CHIP C.RESISTOR		
	C 204	2203-000178	CHIP C.CAPACITR				R 102	2007-000098	CHIP C.RESISTOR		
	C 205	2203-000178	CHIP C.CAPACITR				R 103	2007-000098	CHIP C.RESISTOR		
	C 207	2203-000257	CHIP C.CAPACITR				R 104	2007-000098	CHIP C.RESISTOR		
	C 208	2203-000851	CHIP C.CAPACITR				R 105	2007-000100	CHIP C.RESISTOR	68KOHM 5% 1/16W	
	C 209	2203-000257	CHIP C.CAPACITR				R 106	2007-000100	CHIP C.RESISTOR	68KOHM 5% 1/16W	
	C 211	2203-000178	CHIP C.CAPACITR				R 107	2007-000115	CHIP C.RESISTOR		
	C 212	2401-000240	E.CAPACITOR				R 108	2007-000308	CHIP C.RESISTOR		
	C 213	2203-000257	CHIP C.CAPACITR				R 110	2007-000455	CHIP C.RESISTOR		
	C 214	2203-000257	CHIP C.CAPACITR				R 112	2007-001196	CHIP C.RESISTOR		
	C 215	2401-000240	E.CAPACITOR				R 113	2007-000132	CHIP C.RESISTOR		
	C 216	2203-000257	CHIP C.CAPACITR				R 114	2007-000100	CHIP C.RESISTOR	68KOHM 5% 1/16W	
	C 217	2401-000240	E.CAPACITOR				R 115	2007-001179	CHIP C.RESISTOR		
	C 218	2203-000257	CHIP C.CAPACITR				R 116	2007-000093	CHIP C.RESISTOR		
	C 301	2401-001102	E.CAPACITOR				R 117	2001-000331	CARBON RESISTOR		
	C 302	2401-000240	E.CAPACITOR				R 118	2007-000109	CHIP C.RESISTOR		
	C 303	2401-000240	E.CAPACITOR				R 119	2007-000101	CHIP C.RESISTOR		
	C 304	2203-000257	CHIP C.CAPACITR				R 120	2007-000098	CHIP C.RESISTOR		
	C 305	2203-000257	CHIP C.CAPACITR				R 121	2007-000092	CHIP C.RESISTOR		
	C 401	2203-000257	CHIP C.CAPACITR				R 123	2007-000097	CHIP C.RESISTOR		
	C 402	2203-000257	CHIP C.CAPACITR				R 124	2007-000103	CHIP C.RESISTOR		
	C 403	2203-000178	CHIP C.CAPACITR				R 125	2007-000103	CHIP C.RESISTOR		
	C 801	2401-000795	E.CAPACITOR				R 126	2007-000098	CHIP C.RESISTOR		
	C 804	2202-000243	C.CAPACITOR				R 127	2007-000100	CHIP C.RESISTOR	68KOHM 5% 1/16W	
	C 805	2202-000243	C.CAPACITOR				R 128	2007-000129	CHIP C.RESISTOR		
	C 806	2202-000243	C.CAPACITOR				R 132	2007-000090	CHIP C.RESISTOR		
	CW101	3708-001252	CONNECTOR				R 133	2007-000090	CHIP C.RESISTOR		
	CW102	AH39-20561P	LEAD CONNECTOR				R 201	2007-000074	CHIP C.RESISTOR		
	CW103	3708-001131	CONNECTOR				R 202	2007-000109	CHIP C.RESISTOR		

■ Electrical parts list(CD board)

Block No. 05

△	Item	Parts number	Parts name	Remarks	Area
	R 204	2007-000078	CHIP C.RESISTOR		
	R 205	2007-000078	CHIP C.RESISTOR		
	R 206	2007-000078	CHIP C.RESISTOR		
	R 207	2007-000078	CHIP C.RESISTOR		
	R 208	2007-000078	CHIP C.RESISTOR		
	R 209	2007-000078	CHIP C.RESISTOR		
	R 210	2007-000075	CHIP C.RESISTOR		
	R 301	2008-000140	FUSE RESISTOR		
	R 302	2001-001006	CARBON RESISTOR		
	R 803	2001-000429	CARBON RESISTOR		
	R 804	2007-000078	CHIP C.RESISTOR		
	R 805	2007-000078	CHIP C.RESISTOR		
	R 806	2007-000078	CHIP C.RESISTOR		
	R 807	2007-000084	CHIP C.RESISTOR		
	R 808	2007-000084	CHIP C.RESISTOR		
	R 809	2007-000084	CHIP C.RESISTOR		
	R 810	2001-000515	CARBON RESISTOR		
	R 811	2007-000078	CHIP C.RESISTOR		
	R 813	2007-000097	CHIP C.RESISTOR		
	R501L	2007-000102	CHIP C.RESISTOR		
	R501R	2007-000102	CHIP C.RESISTOR		
	R502L	2007-000074	CHIP C.RESISTOR		
	R502R	2007-000074	CHIP C.RESISTOR		
	X 201	2802-000211	RESONATOR		
	ZD301	0403-000344	ZENER DIODE		
	ZD401	0403-000361	ZENER DIODE		
	ZD402	0403-000352	ZENER DIODE		

< MEMO >

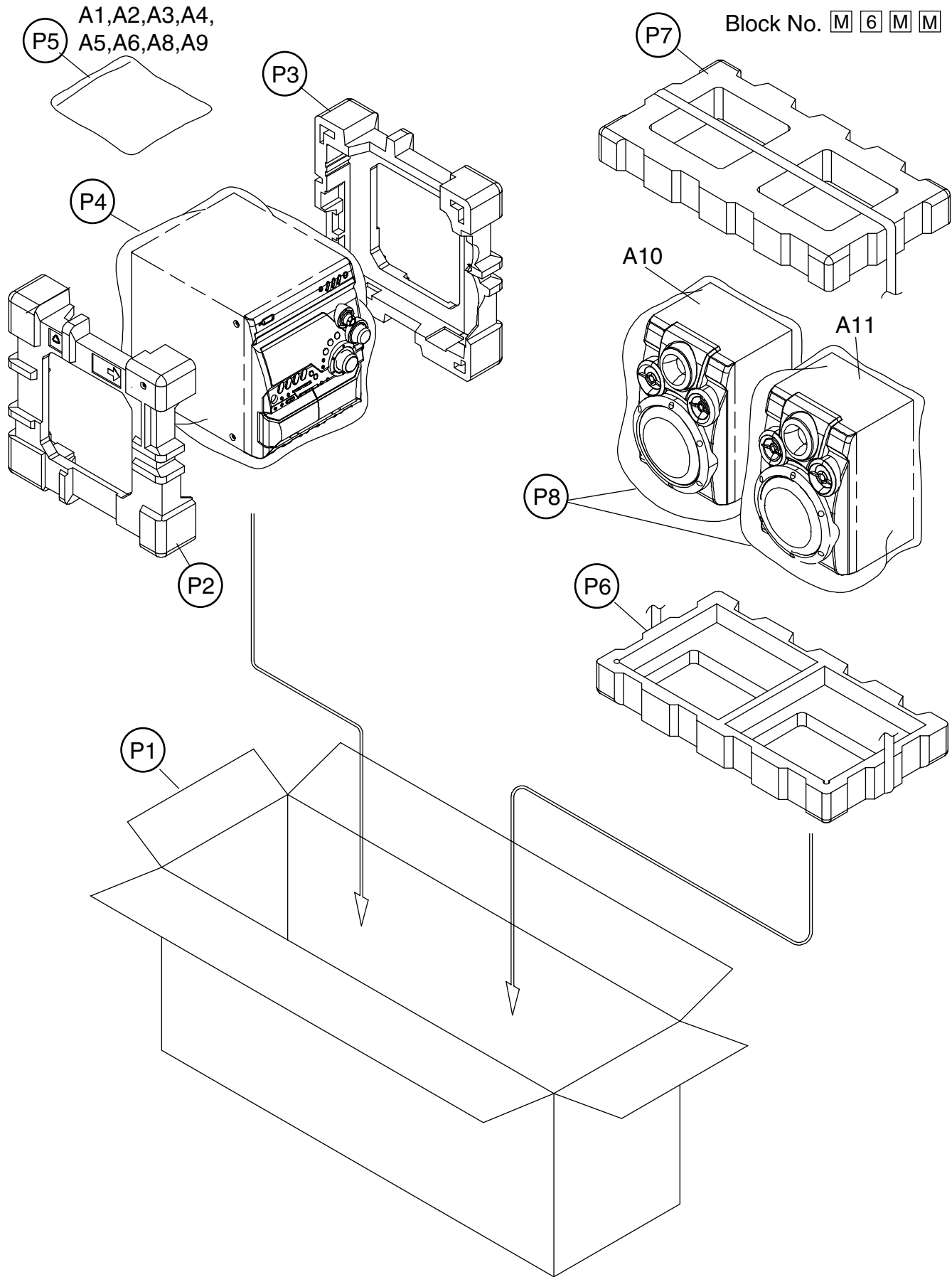
Packing materials and accessories parts list

Block No.

M	5	M	M
---	---	---	---

Block No.

M	6	M	M
---	---	---	---



Parts list(Packing)

Block No. M5MM

△	Item	Parts number	Parts name	Q'ty	Description	Area
	P 1	AH69-00352D	CARTON	1		
		AH69-00352C	CARTON	1		
	P 2	AH69-00343A	CUSHION-L	1	FOR SET	
	P 3	AH69-00344A	CUSHION-R	1	FOR SET	
	P 4	AH69-30012T	POLY BAG	1	FOR SET	
	P 5	18654-101-00	POLY BAG	1	FOR ACCESSORIES	
	P 6	AH81-00373R	CUSHION-BOTTOM	1	FOR SPEAKER	
	P 7	AH81-00373Q	CUSHION-TOP	1	FOR SPEAKER	
	P 8	AH81-00373P	POLY BAG	2	FOR SPEAKER	

Parts list(Accessories)

Block No. M6MM

△	Item	Parts number	Parts name	Q'ty	Description	Area
	A 1	AH68-00746B	INSTRUCTIONS	1	ENG CHI	US
		AH68-00746H	INSTRUCTIONS	1	CHI(TAIWAN)	UT
		AH68-00746P	INSTRUCTIONS	1	ENG SPA POR	UW
		AH68-00746J	INSTRUCTIONS	1	ENG	A
		AH68-00746M	INSTRUCTIONS	1	SPA	UY
	A 2	AH59-00095A	REMOCON	1	RM-SMXK5A(MX-K5	UY A
		AH59-00095B	REMOCON	1	RM-SMXK5U(MX-K5	US UT UW
	A 3	AH38-10001A	FM-WIRE	1		
	A 4	AH42-20001S	ANT LOOP	1		
	A 5	-----	BATTERY	2		
	A 6	AH68-00415E	WARANTY CARD	1		A
	A 8	AH68-00416E	SERVICE-NETWORK	1		A
△	A 9	3721-000117	CONVERSION-PLUG	1		US UT
	A 10	MXK5K-SPBOX-L	SPEAKER BOX	1		
	A 11	MXK5K-SPBOX-R	SPEAKER BOX	1		